



ES-6 *S-energy*[®]

Encapsulated Rotary Screw Air Compressors

4-7 kW • 5-10 hp



ABOUT SULLAIR

For more than 50 years, Sullair has been on the leading edge of compressed air solutions. We were one of the first to execute rotary screw technology in our air compressors, and our machines are famous all over the world for their legendary durability. As the industry moves forward, Sullair will always be at the forefront with quality people, innovative solutions, and air compressors that are built to last.

Sullair was founded in Michigan City, Indiana in 1965, and has since expanded with a broad international network to serve customers in every corner of the globe. Sullair has offices in Chicago and manufacturing facilities in the United States and China — all ISO 9001 certified to ensure the highest quality standards in manufacturing. In addition, the Sullair Suzhou facility is ISO 14001 and OHSAS 18001 certified.

Sullair is A Hitachi Group Company

**RELIABILITY.
DURABILITY.
PERFORMANCE.**

These are the pillars that drive the quality of Sullair compressed air solutions. It's a promise we keep with every machine we make.

RELIABILITY

Customers who work with Sullair have found that the intangibles make all the difference — things like trust, confidence, and peace of mind. They go to work every day having full faith in their equipment, as well as the knowledge that dedicated distributors and Sullair personnel have their back every step of the way.

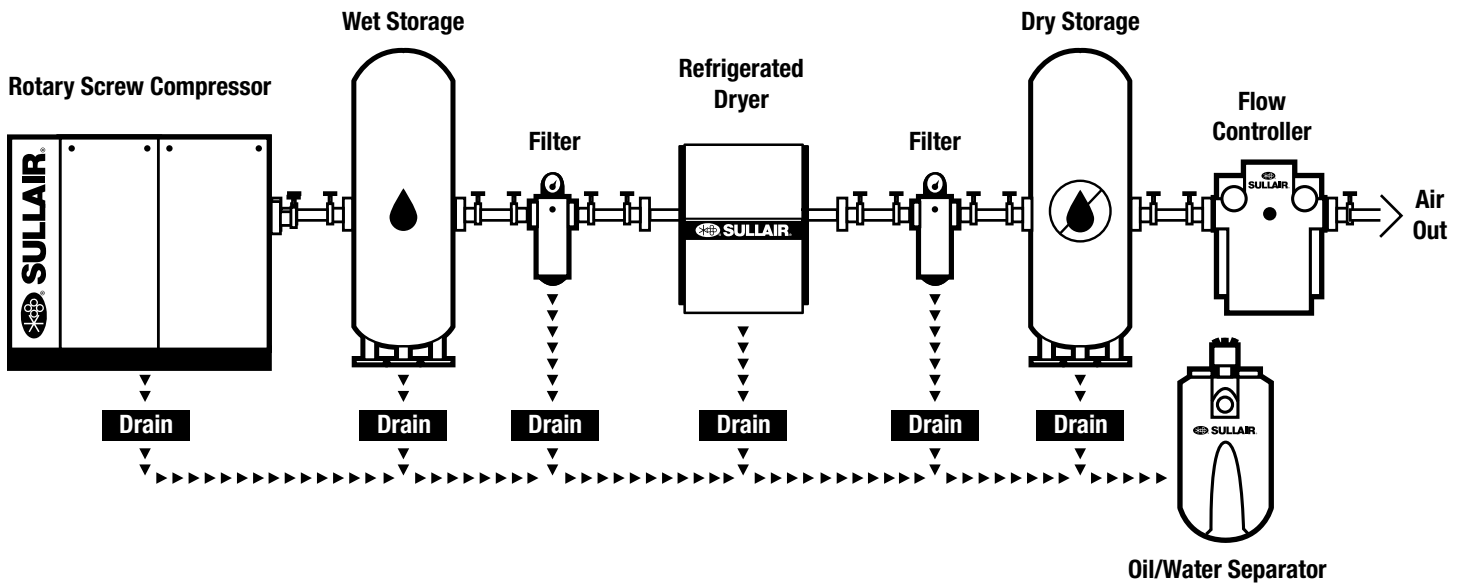
DURABILITY

Bulletproof. Built to last. However you spin it, Sullair compressed air solutions are in it for the long haul, driven by the design of the legendary air end. In factories and shops all over the world, you'll find Sullair compressors that have stood the test of time, running consistently today like they did on day one.

PERFORMANCE

You have high expectations for your operations, and we make machines that share your work ethic. Sullair compressed air solutions do what they're supposed to do, and they do it extremely well for a very long time. And working with us means not only access to clean, quality air, but also the tools you need to optimize this vital resource.

SULLAIR INDUSTRIAL AIR POWER SYSTEMS



Sullair offers total compressed air systems to help compressed air users reduce energy costs and improve productivity by analyzing, managing and controlling compressed air systems.

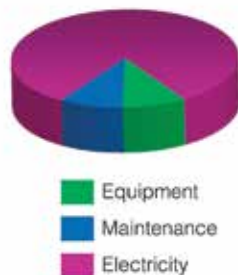
Sullair compressed air solutions include: plant air audits, energy efficient products, compressed air system controls, equipment to monitor and manage systems, air distribution products, and after-purchase support.

Each component of the system is carefully matched for capacity and pressure to provide maximum performance and energy efficiency.

The system includes:

- Rotary screw compressor
- Wet storage
- Refrigerated dryer or desiccant dryer
- Filters to meet your requirement
- Dry storage
- Flow controller
- Drains
- Oil/water separator

Sullair Reduces Your Life Cycle Costs



Air Compressor Life Cycle Costs

According to *Best Practices for Compressed Air Systems, Compressed Air Challenge* [Second Edition, 2007] energy costs now represent 82% of the total operating expenses. Energy savings from Sullair S-energy® compressors can significantly reduce life cycle costs.

Sullair S-energy compressors significantly reduce operating and energy costs over the entire compressor life cycle.

- Proven Sullair air end with a low restriction inlet valve
- High-efficiency fan
- Low-pressure-drop air-fluid separation system to prevent energy loss

Sullair filter designs deliver cost savings for the life of the product by improving air filtration. This means:

- Extended separator life
- Improved fluid filter life
- Less lubricant contamination

To reduce fluid disposal costs, S-energy compressors are factory-filled with biodegradable Genuine Sullube® 10,000-hour fluid.

- Protects and cleans (no varnish)
- Controls operating temperatures
- Optimal viscosity
- Environmentally friendly
- Reduces fluid loss
- High flash point (505°F/263°C)

SULLAIR ES-6 S-ENERGY[®]

ENCAPSULATED ROTARY SCREW AIR COMPRESSOR

1. Aftercooler / Oil Cooler

- Air-cooled
- Simplified access
- Easy cleaning

2. Heavy-Duty Air Filter

- Protects premature failure of key components
- Extends separator, fluid filter and fluid life

3. Sullair Versatile Control System

- Allows the compressor to run in modulation or load/no load operation
- Matches output to demand
- Stabilizes system pressure
- Extends package life
- Package instrumentation

4. Encapsulated Design

- Maintenance items are easy to replace
- Minimizes connections

5. Multi-Stage Air-Fluid Separator

- Reduces fluid carryover to less than 2 ppm
- Lowers make-up fluid costs
- Separator element is easily replaced

6. Fluid Sight Glass

7. Spin-On Fiberglass Fluid Filter

- Aircraft-quality media provides better filtration
- Up to 20% more efficient than conventional paper elements
- Lengthens life of the compressor
- Filter service life is extended up to one year

8. Oil Drain Tube

9. Starter

- Integrated full voltage starter





2

3

4

5

6

7

8

9

SULLAIR



LINE PRESSURE



DISCHARGE TEMP.

OFF/RESET

ON AUTO POWER ON

MANUAL



⚠ DANGER



Lethal shock hazard inside.

To be opened by authorized personnel only.

Disconnect all power at source before opening or servicing.

⚡

WARNING
Lethal shock hazard. Disconnect all power at source before opening or servicing.

PREPARE
Always verify if disconnected. Disconnect from source. Do not touch any live parts. Disconnect all power at source before opening or servicing.

CAUTION
Always disconnect power before working on any electrical component. Do not touch any live parts.

REPAIR
Always verify if disconnected. Disconnect. Verify the location. Disconnect all power at source before opening or servicing.

1 2 3 4 5 6 7 8 9 10 11 12 13 14 15 16 17 18 19 20 21 22 23 24 25 26 27 28 29 30 31 32 33 34 35 36 37 38 39 40 41 42 43 44 45 46 47 48 49 50 51 52 53 54 55 56 57 58 59 60 61 62 63 64 65 66 67 68 69 70 71 72 73 74 75 76 77 78 79 80 81 82 83 84 85 86 87 88 89 90 91 92 93 94 95 96 97 98 99 100

ES-6

SULLAIR

SUPERIOR FEATURES AND BENEFITS

Simple, Compact Design

Sullair encapsulated compressors use a simple design to provide exceptional reliability and extremely low maintenance. Designed with a smaller footprint and 40% fewer parts than conventional models, these compact machines redefine industry standards for continuous duty compressors in the 5 to 10 hp range.

Rotary Screw Reliability

These S-energy® encapsulated compressors use the legendary Sullair Single-Stage Rotary Screw Air End, featuring Sullair's patented E-Profile rotors and rugged bearing design.

Lower Maintenance Costs

Thanks to a simplified design using fewer parts and connections, the S-energy® compressors require only minimum routine maintenance.

Superior Package Design

- 40% fewer parts improve reliability
- Small footprint
- Designed for continuous duty

Optional Sound Enclosure

- Reduces sound levels as low as 68 dBA
- Lift out doors

Legendary Sullair Air End

- Patented E-profile rotor design
- Longer bearing life

Helical Design Drive Gears

- Reduces thrust load
- Increases bearing life

Bearing Fluid Reservoirs

- Ensures fluid is available at start-up
- Extends air end life

Flange-Mounted Motor and Air End

- Provides positive alignment
- Optimizes bearing life of air end and motor
- Motor enclosure is Totally Enclosed Air Over (TEAO)
- Available voltages include 200v, 230v, 460v and 575v

All ES-6 compressors are factory-filled with biodegradable Genuine Sullube® 10,000 hour fluid.

- Protects and cleans (no varnish)
- Controls operating temperatures
- Optimal viscosity
- Environmentally friendly
- Reduces fluid loss
- High flash point (263°C)

PristineFG™ is Optional

- Meets USDA and FDA H1 requirements
- Lasts up to 6000 hours
- Reduces lubricant consumption
- Performs in wide temperature range
- Extends compressor life

Sullair 10-Year Diamond Warranty

The Sullair 10-Year Diamond Warranty provides comprehensive protection for Sullair oil flooded rotary screw air compressors. This program distinguishes itself by covering all major components for new air compressors (with discharge pressures up to 150 psi):

10-Year Coverage:

- Sullair air end

5-Year Coverage:

- Main motor
- Aftercooler
- Oil cooler
- Separator vessel



SULLAIR ES-6

S-energy®

PERFORMANCE AIR SYSTEM



Compressed air is a vital to operations such as general manufacturing, instrumentation and process equipment. To meet varying air quality requirements, Sullair offers a total compressed air package.

The Sullair Solution

Sullair offers the Performance Air System including:

- ES-6 compressor
- Refrigerated dryer
- Liquid and particulate filter
- Receiver tank

All components of the system have been perfectly sized to provide maximum performance. Plus, the Performance Air System is simple to install and requires a minimum amount of floor space.

Clean, Dry Air is Essential

Quality air treatment – the removal of condensate and particulate — is essential to protect your plant air system and air-using equipment. Plus, quality air can help improve the quality of your product and process.

The Performance Air System helps achieve your goals with:

- Matched refrigerated dryer — to help remove water vapor found in compressed air. The Sullair dryer features an oversized demister separator, dew point indicator, easy drain access and environmentally compatible refrigerant.
- High-efficiency filter — to help remove particles down to 1.0 micron as well as coalesced liquid and lubricants.

TECHNICAL SPECIFICATIONS

FOR MORE INFORMATION, CONTACT YOUR LOCAL SULLAIR AUTHORIZED DISTRIBUTOR.

60HZ MOTOR FREQUENCY	MOTOR		PERFORMANCE FULL-LOAD CAPACITIES			
Model	hp	kW	125 psi/cfm	9 bar / m ³ /min	175 psi/cfm	12 bar / m ³ /min
5H	5	3.7	17	.48	—	—
5XH	5	3.7	—	—	13	.36
7.5H	7.5	5.5	28	.79	—	—
7.5XH	7.5	5.5	—	—	20	.56
10H	10	7.4	36	1.01	—	—
10XH	10	7.4	—	—	30	.84

STYLE	CUSTOMER CONNECTION	DIMENSIONS, ALL ES-6 MODELS						ES-6 5H/XH			ES-6 7.5H/XH			ES-6 10H/XH		
		Length		Width		Height		Weight		dBA Rating*	Weight		dBA Rating*	Weight		dBA Rating*
		in	mm	in	mm	in	mm	lbs	kg		lbs	kg		lbs	kg	
Open	½" NPT	29.5	749	25.5	648	22.8	579	230	104	80	270	122	82	280	127	85
Enclosed	¾" NPT	44.0	1117	28.0	711	28.0	711	400	181	68	440	199	69	450	204	70

STYLE	CUSTOMER CONNECTION	DIMENSIONS, ALL ES-6 MODELS						ES-6 5H/XH			ES-6 7.5H/XH			ES-6 10H/XH		
		Length		Width		Height		Weight		dBA Rating*	Weight		dBA Rating*	Weight		dBA Rating*
		in	mm	in	mm	in	mm	lbs	kg		lbs	kg		lbs	kg	
Open Tankmount <i>80 gal</i>	1¼" NPT	64.5	1638	26.5	650	50.0	1270	560	254	80	600	272	82	610	276	85
Open Tankmount <i>120 gal</i>	1¼" NPT	67.0	1702	27.0	686	54.0	1371	650	294	80	690	312	82	700	317	85
Enclosed Tankmount <i>80 gal</i>	1¼" NPT	66.0	1676	28.0	711	52.5	1333	710	322	68	750	340	69	760	344	70
Enclosed Tankmount <i>120 gal</i>	1¼" NPT	68.0	1727	28.0	711	56.5	1435	800	362	68	840	381	69	850	385	70

STYLE WITH DRYER / FILTER	CUSTOMER CONNECTION	DIMENSIONS, ALL ES-6 MODELS						ES-6 5H/XH			ES-6 7.5H/XH			ES-6 10H/XH		
		Length		Width		Height		Weight		dBA Rating*	Weight		dBA Rating*	Weight		dBA Rating*
		in	mm	in	mm	in	mm	lbs	kg		lbs	kg		lbs	kg	
Open Tankmount <i>80 gal</i>	½" NPT	69.5	1765	26.5	673	50.0	1270	640	290	80	680	308	82	690	312	85
Open Tankmount <i>120 gal</i>	½" NPT	71.0	1803	27.0	686	54.0	1371	730	331	80	770	349	82	780	353	85
Enclosed Tankmount <i>80 gal</i>	½" NPT	71.0	1803	28.0	711	52.5	1333	810	367	68	850	385	69	860	390	70
Enclosed Tankmount <i>120 gal</i>	½" NPT	72.0	1828	28.0	711	56.5	1435	900	408	68	930	421	69	940	426	70

* At 1 meter